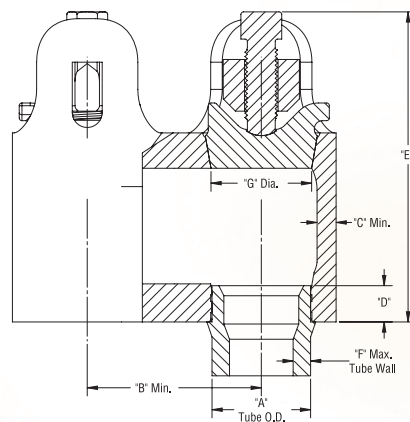


WF-REPCO™ TYPE 10 RETURN BENDS

As the recognized brand leader, the WF-RepcO™ line is dependable, can stand up to harsh environments, and withstands high stress levels. WF-RepcO™ Type 10 Return Bends are the most universally used fittings for general refinery applications.

WF-RepcO™ Advantages

- ▶ Includes long, sweeping, contoured ear profiles wrapped around the barrel circumference at the base of the ear
- ▶ Contains mechanical bearing areas for engagement with the holding members
- ▶ Offers reduction in any possible eccentric loading upon ear sections that may tend toward the spreading of these parts
- ▶ Available with either large or small plug features



Engineering drawing is representative of a basic concept; we can design products to meet your exact specifications.

To determine the right series of fittings for your application, refer to the pressure-temperature rating chart on the back of this sheet.



Rolled Joint Return Bend, Type 10



Butt-Weld Return Bend, Type 10-W2



Butt-Weld, Single-Closure Return Bend, Type 10-W1



Butt-Weld, Single-Center-Closure Return Bend, Type 10-WY

WF-REPCO™ TYPE 10 RATING CHART

The following ratings are based on fittings having body and plug material made to A.S.T.M. specifications.

	A.S.T.M. Material Specs.	PRESSURE (P.S.I.) AT TEMPERATURE (DEGREES FAHRENHEIT)														
		750°	775°	800°	825°	850°	875°	900°	925°	950°	975°	1000°	1025°	1050°	1075°	1100°
500 lb. Series	A-216 GR. WCB	500	500	500	500	470	405	340								
	A-217 GR. WC1	500	500	500	500	500	500	500	470	415	335	260				
	A-217 GR. WC6, WC9, C5, C12	500	500	500	500	500	500	500	500	500	425	355	290	230	185	135
	A-351 GR. CF8	500	500	500	500	500	500	500	500	500	500	500	500	500	480	420
850 lb. Series	A-216 GR. WCB	850	850	795	710	620	535	445								
	A-217 GR. WC1	850	850	850	850	820	760	695	620	545	445	340				
	A-217 GR. WC6, WC9, C5, C12	850	850	850	850	850	850	850	770	655	560	465	385	305	240	175
	A-351 GR. CF8	850	850	850	850	850	850	850	850	850	850	795	715	635	555	480
1,275 lb. Series	A-216 GR. WCB	1275	1180	1075	960	840	725	605								
	A-217 GR. WC1	1275	1275	1250	1175	1110	1025	940	840	740	605	460				
	A-217 GR. WC6, WC9, C5, C12	1275	1275	1275	1275	1275	1275	1185	1040	890	760	630	520	415	325	235
	A-351 GR. CF8	1275	1275	1275	1275	1275	1275	1275	1275	1275	1200	1080	970	860	755	645
1,700 lb. Series	A-216 GR. WCB	1700	1610	1470	1310	1150	990	825								
	A-217 GR. WC1	1700	1700	1700	1600	1510	1400	1285	1140	1010	825	630				
	A-217 GR. WC6, WC9, C5, C12	1700	1700	1700	1700	1700	1700	1620	1420	1215	1040	860	710	565	445	325
	A-351 GR. CF8	1700	1700	1700	1700	1700	1700	1700	1700	1700	1640	1470	1320	1175	1030	880
2,000 lb. Series	A-216 GR. WCB	2000	1840	1680	1500	1315	1130	940								
	A-217 GR. WC1	2000	1980	1940	1835	1730	1600	1470	1310	1150	940	720				
	A-217 GR. WC6, WC9, C5, C12	2000	2000	2000	2000	2000	2000	1850	1620	1390	1190	985	810	645	510	370
	A-351 GR. CF8	2000	2000	2000	2000	2000	2000	2000	2000	2000	1870	1680	1510	1345	1175	1010



WAUKESHA FOUNDRY, INC.

1300 Lincoln Avenue
 Waukesha, WI 53186 USA
 Tel + 1 800 727 0741 or + 1 262 542 0741
 Fax + 1 262 549 8440
 E-Mail info@waukeshafoundry.com
www.waukeshafoundry.com