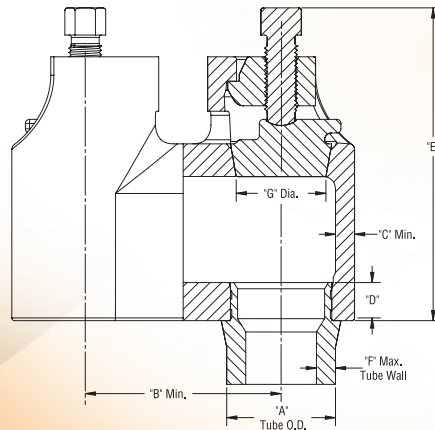


## WF-REPCO™ TYPE 20 RETURN BENDS

As the recognized brand leader, the WF-RepcO™ line can stand up to harsh environments. The rugged design of the Type 20 Return Bend with the Horse Shoe style top offers proven dependability, safe handling of stress levels and low maintenance costs.

### WF-RepcO™ Advantages

- ▶ “Horse Shoe” sections are placed back-to-back with a connecting tie-bar
- ▶ Small plug cleanout openings enhance the strengthened top structure
- ▶ Small plug closures for a given minimum center tube spacing allow for increased bearing areas and ear thickness
- ▶ Available with large plug closures where it is necessary or practical to replace tubes by passing through the plug hole and tube hole of installed fittings
- ▶ Design of sweeping fillets offers compact, rugged unit resistance to deformation
- ▶ Threaded parts, which are more vulnerable to damage by oxidation or abuse, are placed in areas of expendable, small parts



*Engineering drawing is representative of a basic concept; we can design products to meet your exact specifications.*

To determine the right series of fittings for your application, refer to the pressure-temperature rating chart on the back of this sheet.



*Rolled Joint Return Bend, Type 20*



*Butt-Weld Return Bend, Type 20-W2*



*Butt-Weld, Single-Hole Terminal, Type 20-W1*



*Butt-Weld, Single-Closure Return Bend, Type 20-W1*

# WF-REPCO™ TYPE 20 RATING CHART

The following ratings are based on fittings having body and plug material made to A.S.T.M. specifications.

	A.S.T.M. Material Specs.	PRESSURE (P.S.I.) AT TEMPERATURE (DEGREES FAHRENHEIT)														
		750°	775°	800°	825°	850°	875°	900°	925°	950°	975°	1000°	1025°	1050°	1075°	1100°
850 lb. Series	A-216 GR. WCB	850	850	795	710	620	535	445								
	A-217 GR. WC1	850	850	850	850	820	760	695	620	545	445	340				
	A-217 GR. WC6, WC9, C5, C12	850	850	850	850	850	850	850	770	655	560	465	385	305	240	175
	A-351 GR. CF8	850	850	850	850	850	850	850	850	850	850	795	715	635	555	480
1,275 lb. Series	A-216 GR. WCB	1275	1180	1075	960	840	725	605								
	A-217 GR. WC1	1275	1275	1250	1175	1110	1025	940	840	740	605	460				
	A-217 GR. WC6, WC9, C5, C12	1275	1275	1275	1275	1275	1275	1185	1040	890	760	630	520	415	325	235
	A-351 GR. CF8	1275	1275	1275	1275	1275	1275	1275	1275	1275	1200	1080	970	860	755	645
1,700 lb. Series	A-216 GR. WCB	1700	1610	1470	1310	1150	990	825								
	A-217 GR. WC1	1700	1700	1700	1600	1510	1400	1285	1140	1010	825	630				
	A-217 GR. WC6, WC9, C5, C12	1700	1700	1700	1700	1700	1700	1620	1420	1215	1040	860	710	565	445	325
	A-351 GR. CF8	1700	1700	1700	1700	1700	1700	1700	1700	1700	1640	1470	1320	1175	1030	880
2,000 lb. Series	A-216 GR. WCB	2000	1840	1680	1500	1315	1130	940								
	A-217 GR. WC1	2000	1980	1940	1835	1730	1600	1470	1310	1150	940	720				
	A-217 GR. WC6, WC9, C5, C12	2000	2000	2000	2000	2000	2000	1850	1620	1390	1190	985	810	645	510	370
	A-351 GR. CF8	2000	2000	2000	2000	2000	2000	2000	2000	2000	1870	1680	1510	1345	1175	1010



**WAUKESHA FOUNDRY, INC.**  
 1300 Lincoln Avenue  
 Waukesha, WI 53186 USA  
 Tel + 1 800 727 0741 or + 1 262 542 0741  
 Fax + 1 262 549 8440  
 E-Mail [info@waukeshafoundry.com](mailto:info@waukeshafoundry.com)  
[www.waukeshafoundry.com](http://www.waukeshafoundry.com)